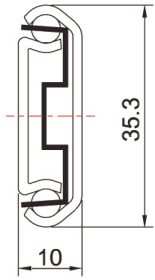




BALL BEARING SLIDES 35SC120

Version V16.1



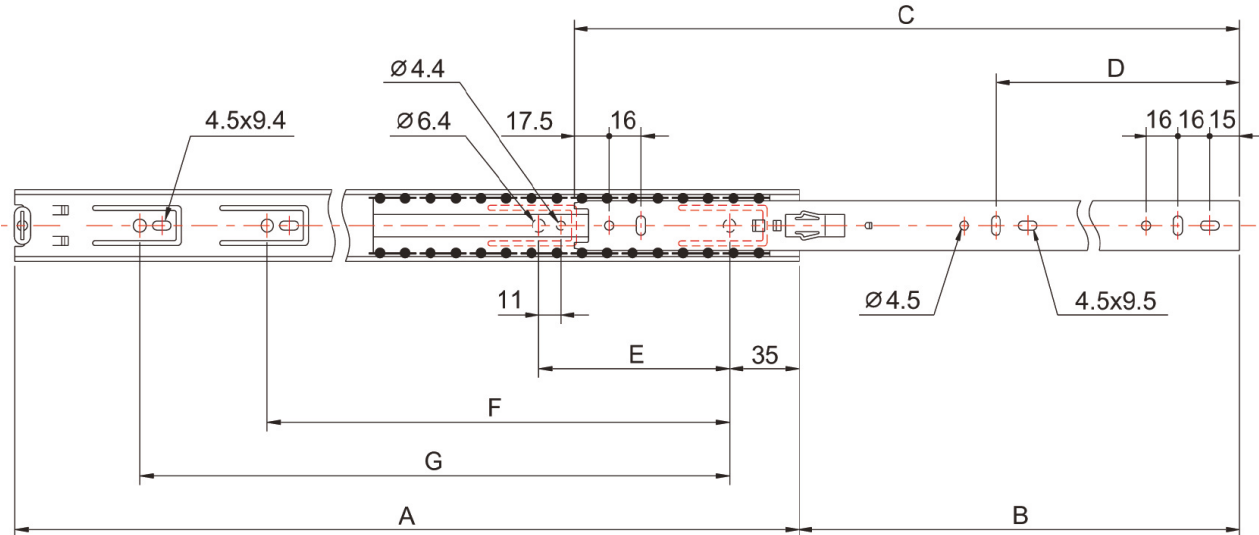
t=1.5mm

Basic Type

- Side mounted
- Single extension
- 32mm hole system
- Non handed
- Detent in
- Adjustable side space tabs
- With Latch for Detent-out and front disconnect
- Material: Steel
- Finish: ZP, BZP,
- Length: 300 - 650mm

Options

- Bayonets
- Brackets
- Customized hole patterns
- Customized length
- Detent out
- Slide thickness 35SC161 thickness 12,7mm with different hole pattern (35kg)
- Slide thickness 35SC170 thickness 17mm with different hole pattern (50kg)



Item No.	Slide Length A(mm)	Slide Travel B(mm)	C(mm)	D(mm)	E(mm)	F(mm)	G(mm)
35SC120-300	300	203	301	-	-	160	-
35SC120-350	350	262	351	183	-	192	-
35SC120-400	401	303	402	215	96	256	-
35SC120-450	452	353	453	239	96	288	-
35SC120-500	503	381	504	265	96	320	-
35SC120-550	553	420	554	290	96	320	416
35SC120-600	604	457	605	315	96	320	448
35SC120-650	655	495	656	341	96	320	480