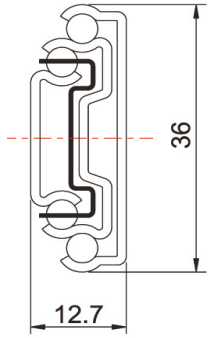




BALL BEARING SLIDES 36SC180

Version V16.1



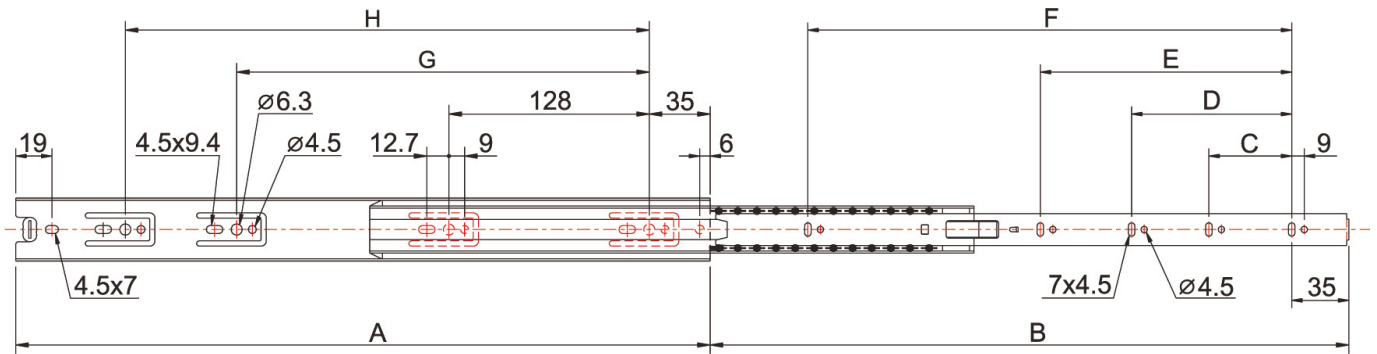
t=1.2mm

Basic Type

- Side mounted
- Full extension
- 32mm hole-system
- Adjustable side space tabs
- Non handed
- Detent in
- Latch release disconnect
- Material: Steel
- Finish: ZP, BZP
- Length: 250 - 650mm

Options

- Bayonets
- Brackets
- Customized hole patterns
- Customized length
- Lock-out
- Self closing
- Soft closing
- Inner and middle member lockable
- RoHS compliant



Item No.	Slide Length A(mm)	Slide Travel B(mm)	C(mm)	D(mm)	E(mm)	F(mm)	G(mm)	H(mm)
36SC180-250	250	254	192	-	-	-	160	-
36SC180-300	300	305	242	-	-	-	208	-
36SC180-350	350	356	128	292	-	-	256	-
36SC180-400	400	406	128	320	342	-	288	-
36SC180-450	450	457	128	320	392	-	288	352
36SC180-500	500	508	128	192	352	442	288	416
36SC180-550	550	559	128	224	416	492	288	416
36SC180-600	600	610	128	224	416	544	320	480
36SC180-650	650	658	128	224	416	544	352	544