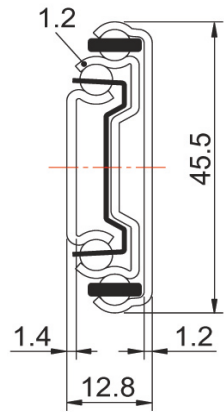




BALL BEARING SLIDES 45SC197A Push to Open

Version V16.1

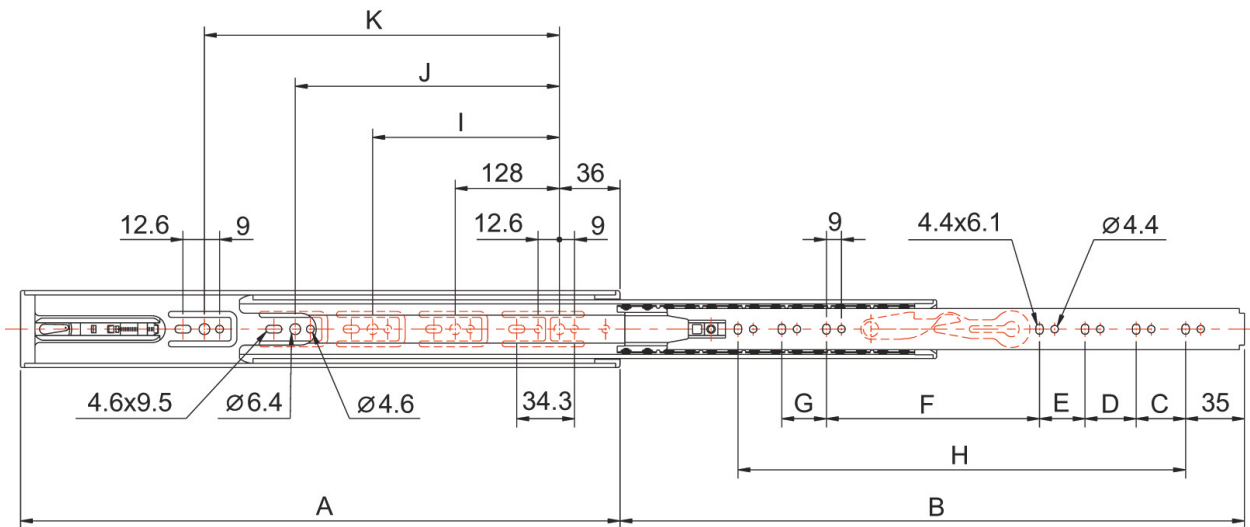


Basic Type

- Side mounted
- Full extension
- Non handed
- Push to open, push 2mm in depth
- Pull out disconnect
- 32mm hole system
- Adjustable side space tabs
- Material: Steel
- Finish: ZP
- Length: 250 - 700mm

Options

- Bayonets
- Brackets
- Customized hole patterns
- Customized length
- RoHS compliant



Item No.	Slide Length A		B(mm)	C(mm)	D(mm)	E(mm)	F(mm)	G(mm)	H(mm)	I(mm)	J(mm)	K(mm)
	inch	mm										
45SC197A-250	10	250	228	-	-	-	-	-	156	-	-	-
45SC197A-300	12	300	305	-	-	-	-	-	200	-	-	-
45SC197A-350	14	350	356	96	-	-	-	-	256	192	-	-
45SC197A-400	16	400	406	128	-	-	-	-	294	224	-	-
45SC197A-450	18	450	457	96	64	-	-	-	344	288	-	-
45SC197A-500	20	500	508	96	64	192	-	-	394	224	352	-
45SC197A-550	22	550	559	128	64	192	-	-	444	224	352	-
45SC197A-600	24	600	610	128	96	192	-	-	494	224	352	448
45SC197A-650	26	650	660	128	96	192	64	-	544	224	352	480
45SC197A-700	28	700	711	128	96	96	192	64	594	224	352	544