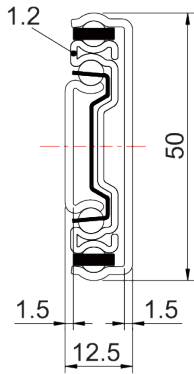




BALL BEARING SLIDES 50SC100

Version V16.1

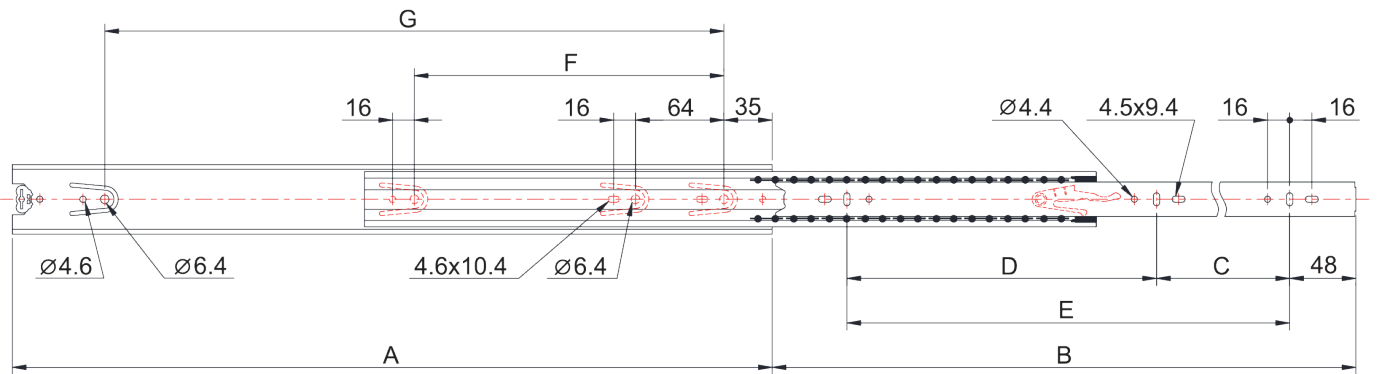


Basic Type

- Side mounted
- Full extension
- 32mm hole-system
- Non handed
- Lever Disconnect
- Material: Steel
- Finish: ZP, ZB
- Length: 250 - 700mm

Options

- Bayonets
- Brackets
- Customized hole patterns
- Customized length
- RoHS compliant



Item No.	Slide Length A(mm)	Slide Travel B(mm)	C(mm)	D(mm)	E(mm)	F(mm)	G(mm)
50SC100-250	250	250	-	-	160	160	-
50SC100-300	300	300	-	-	192	192	-
50SC100-350	350	350	96	160	-	224	-
50SC100-400	400	400	128	160	-	224	320
50SC100-450	450	450	160	192	-	224	352
50SC100-500	500	500	192	224	-	224	416
50SC100-550	550	550	224	224	-	224	448
50SC100-600	600	600	224	288	-	224	480
50SC100-650	650	650	256	288	-	224	544
50SC100-700	700	700	256	352	-	224	576