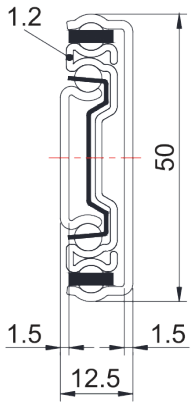




BALL BEARING SLIDES 50SC177 SOFT CLOSING

Version V16.1

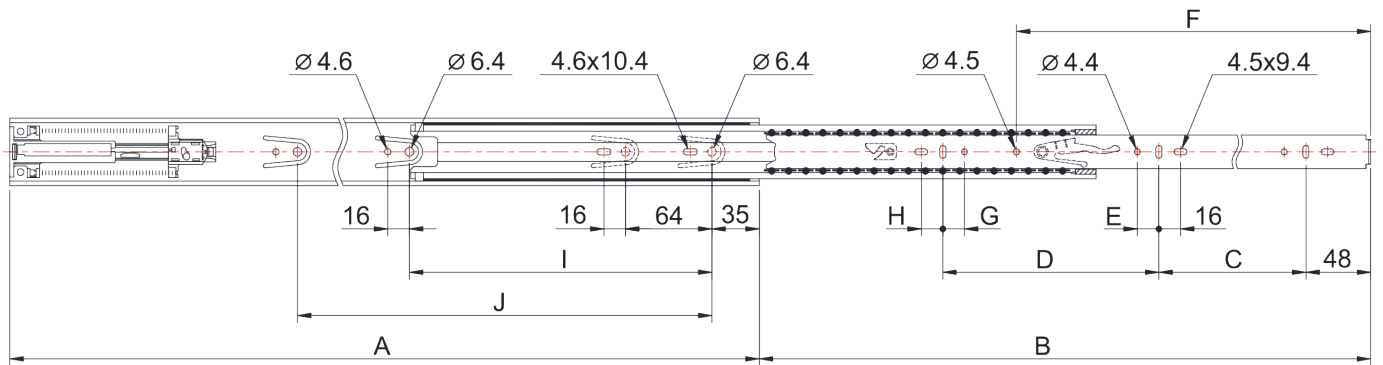


Basic Type

- Side mounted
- Full extension
- Soft closing, oil damper
- Lever Disconnect
- 32mm hole-system
- Non handed
- Material: Steel
- Finish: ZP
- Length: 355 - 700mm

Options

- Bayonets
- Brackets
- Customized hole patterns
- Customized length
- RoHS compliant



Item No.	Slide Length A(mm)	Slide Travel B(mm)	C(mm)	D(mm)	E(mm)	F(mm)	G(mm)	H(mm)	I(mm)	J(mm)
50SC177-355	355	350	128	-	-	-	-	-	128	-
50SC177-405	405	400	160	-	16	-	-	-	160	-
50SC177-450	450	450	160	-	16	336	-	-	224	-
50SC177-500	500	500	192	128	16	-	16	16	256	-
50SC177-550	550	550	224	160	16	-	16	-	224	320
50SC177-600	600	600	256	160	16	-	16	16	224	352
50SC177-650	650	650	256	192	16	-	16	16	224	416
50SC177-700	700	700	288	224	16	-	16	16	224	448