



## BALL BEARING SLIDES HGS100 FULL EXTENSION - STAINLESS STEEL

Version V16.1

**HEGRA** *LinearEvolution*  
**ROLLON** GROUP



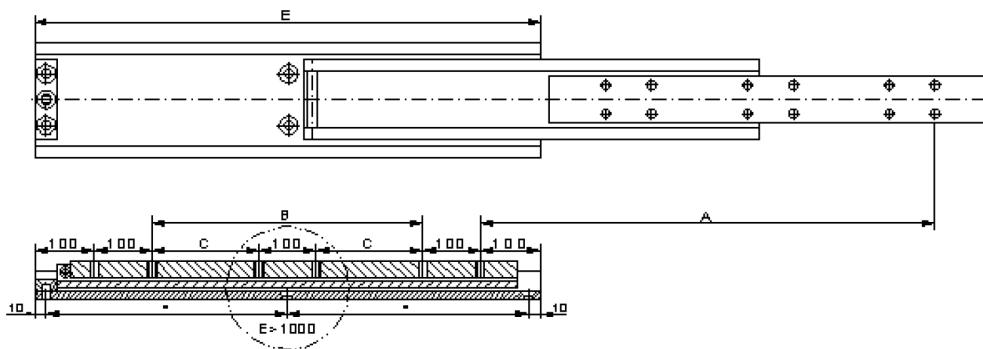
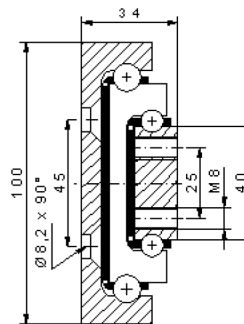
### telescopic slide HGS100

#### basic type:

- stainless steel
- Full extension
- side mounting
- fixing holes

#### costum-made product:

- special lengths
- holes / hole center distances
- additional mounting elements
- combinations



installation length	length		hole pattern		weight	travel length	load rating per pair
	B	C	1	2			
E	B	C	1	2	Kg	A	Kg
600	200		6	8	11,2	600	342
650	250		6	8	12,2	650	336
700	300		6	8	13,1	700	330
750	350		6	8	14,0	750	324
800	400		6	8	15,0	800	318
850	450		6	8	15,9	850	312
900	500		6	8	16,8	900	306
950	550		6	8	17,8	950	300
1000	600		6	12	18,7	1000	294
1100		300	6	12	20,6	1100	282
1200		350	6	12	22,5	1200	270



## BALL BEARING SLIDES HGS100 FULL EXTENSION - STAINLESS STEEL

Version V16.1



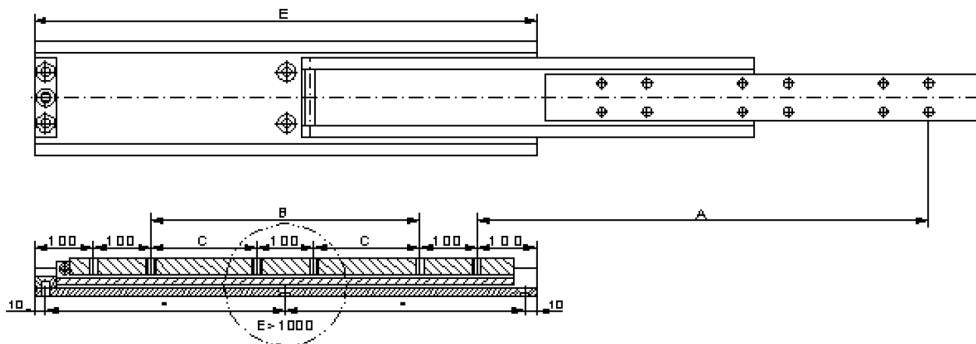
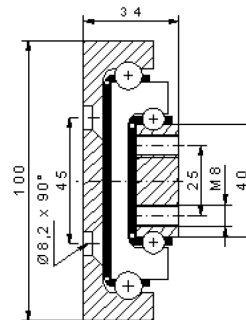
### telescopic slide HGS100

#### basic type:

- stainless steel
- Full extension
- side mounting
- fixing holes

#### costum-made product:

- special lengths
- holes / hole center distances
- additional mounting elements
- combinations



installation length	length		hole pattern		weight	travel length	load rating per pair
	B	C	1	2			
1300		400	6	12	24,3	1300	255
1400		450	6	12	26,2	1400	240
1500		500	6	12	28,1	1500	225
1600		550	6	12	29,9	1600	210
1700		600	6	12	31,8	1700	195
1800		650	6	12	33,7	1800	180
1900		700	6	12	35,6	1900	162
2000		750	6	12	37,4	2000	144