



**BALL BEARING SLIDES
HGS10
PART EXTENSION - STAINLESS STEEL**



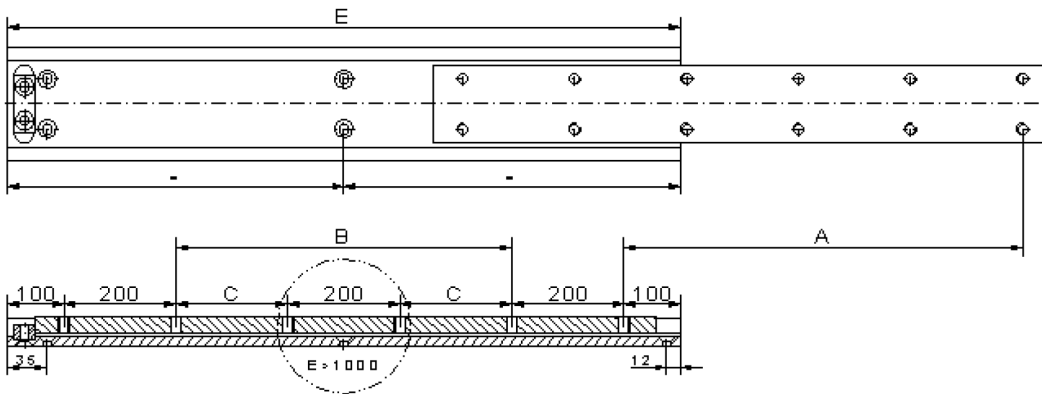
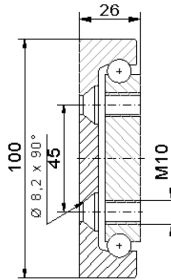
telescopic slide HGS10

basic type:

- stainless steel
- part extension
- side mounting
- fixing holes

costum-made product:

- special lengths
- holes / hole center distances
- additional mounting elements
- combinations



installation length	length		hole pattern		weight	travel length	load rating per pair	
	E	B	C	1				2
700	100			4	8	11,9	420	540
800		200		4	8	13,6	480	600
900			300	4	8	15,3	540	570
1000			400	4	8	17,0	600	540
1100				6	12	18,7	660	510
1200				6	12	20,4	720	480
1300				6	12	22,1	780	450
1400				6	12	23,8	840	414
1500				6	12	25,5	900	378
1600				6	12	27,2	960	342
1700				6	12	28,9	1020	306
1800				6	12	30,6	1080	270