



BALL BEARING SLIDES HGS4 PART EXTENSION - STAINLESS STEEL

Version V16.1

HEGRA *LinearEvolution*
ROLLON GROUP



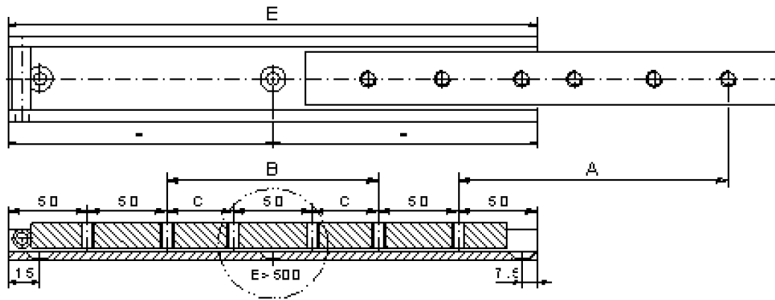
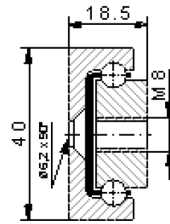
telescopic slide HGS4

basic type:

- stainless steel
- part extension
- side mounting
- fixing holes

costum-made product:

- special lengths
- holes / hole center distances
- additional mounting elements
- combinations



installation length	length		hole pattern		weight	travel length	load rating per pair
	E	B	1	2			
250	50		2	4	1,08	130	126
300	100		2	4	1,30	180	135
350	150		3	4	1,51	230	141
400	200		3	4	1,73	260	147
450	250		3	4	1,94	310	153
500	300		3	4	2,16	340	150
550		150	3	6	2,38	370	147
600		175	3	6	2,59	400	144
650		200	3	6	2,80	430	141
700		225	3	6	3,00	460	138
750		250	3	6	3,24	490	135
800		275	3	6	3,46	520	129
850		300	3	6	3,67	570	123
900		325	3	6	3,89	600	117
1000		375	3	6	4,32	660	100