



BALL BEARING SLIDES HGS5 PART EXTENSION - STAINLESS STEEL

Version V16.1

HEGRA *LinearEvolution*
ROLLON GROUP



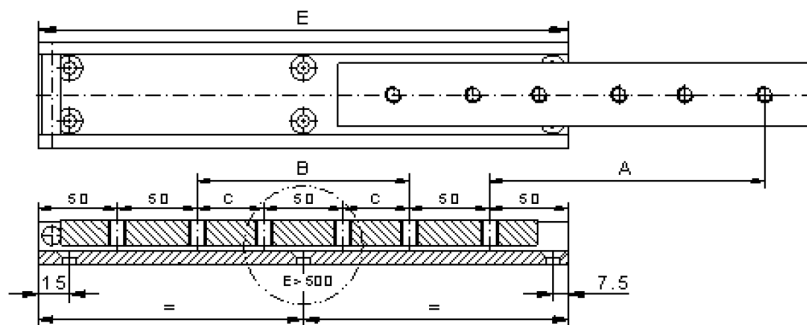
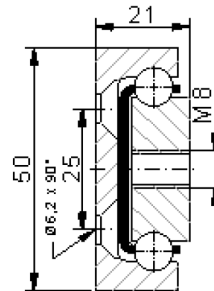
telescopic slide HGS5

basic type:

- stainless steel
- part extension
- side mounting
- fixing holes

costum-made product:

- special lengths
- holes / hole center distances
- additional mounting elements
- combinations



installation length	length			hole pattern		weight	travel length	load rating per pair
	2	B	C	1	2			
E	2	B	C	1	2	Kg	A	Kg
300	274	100		4	4	1,68	180	150
350	324	150		4	4	1,96	230	156
400	374	200		4	4	2,24	260	162
450	424	250		4	4	2,52	310	168
500	474	300		4	4	2,80	340	174
550	524		150	6	6	3,08	370	171
600	574		175	6	6	3,36	400	168
650	624		200	6	6	3,64	430	162
700	674		225	6	6	3,92	460	156
750	724		250	6	6	4,20	490	150
800	774		275	6	6	4,50	520	144
900	874		325	6	6	5,00	600	132
1000	974		375	6	6	5,60	660	120