



**BALL BEARING SLIDES  
HGTS100  
FULL EXTENSION - STAINLESS STEEL**



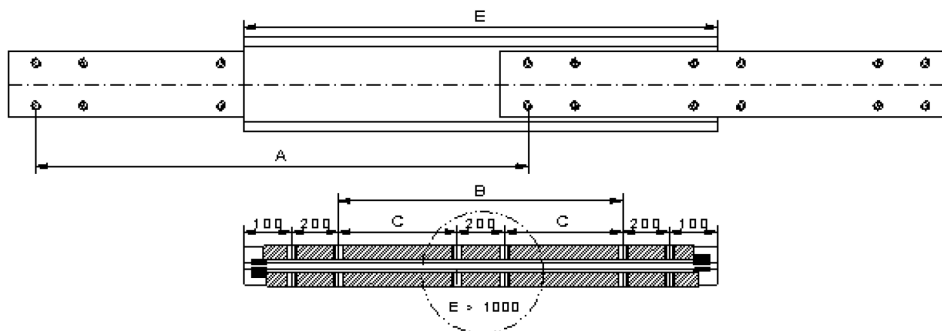
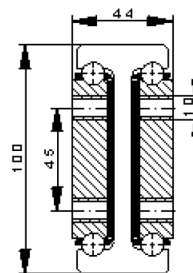
## telescopic slide HGTS100

### basic type:

- stainless steel
- Full extension
- side mounting
- fixing holes

### costum-made product:

- special lengths
- holes / hole center distances
- additional mounting elements
- combinations



installation length E	length		hole pattern		weight Kg	travel length A	load rating per pair Kg
	B	C	1	2			
800	200		8	8	22,1	800	630
850	250		8	8	23,5	850	615
900	300		8	8	24,9	900	600
950	350		8	8	26,2	950	585
1000	400		8	8	27,6	1000	570
1100		150	12	12	30,4	1100	540
1200		200	12	12	33,2	1200	510
1400		300	12	12	38,7	1400	438
1600		400	12	12	44,2	1600	366
1800		500	12	12	49,7	1800	288
2000		600	12	12	55,3	2000	204