



## BALL BEARING SLIDES HGTS60 FULL EXTENSION - STAINLESS STEEL

Version V16.1

**HEGRA** *LinearEvolution*  
**ROLLON** GROUP



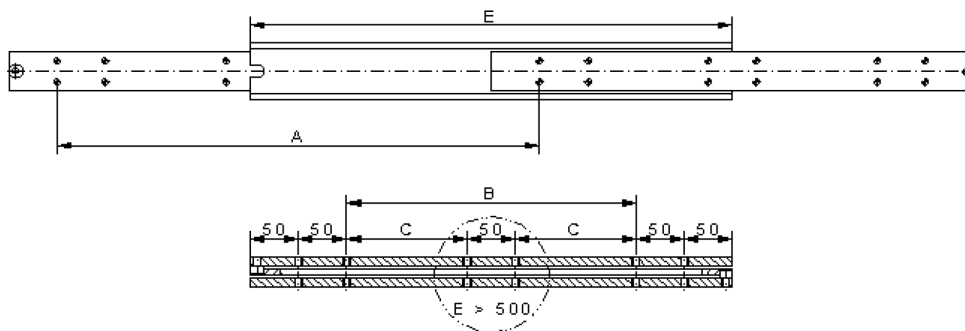
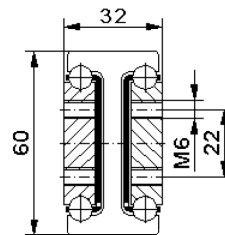
### telescopic slide HGTS60

#### basic type:

- stainless steel
- Full extension
- side mounting
- fixing holes

#### costum-made product:

- special lengths
- holes / hole center distances
- additional mounting elements
- combinations



installation length	length		hole pattern		weight	travel length	load rating per pair	
	E	B	C	1				2
350	150			8	8	4,0	450	305
400	200			8	8	4,7	500	310
450	250			8	8	5,2	450	320
500	300			8	8	5,8	500	325
550		150		12	12	6,4	550	330
600		175		12	12	7,0	600	335
650		200		12	12	7,6	650	325
700		225		12	12	8,2	700	320
750		250		12	12	8,7	750	310
800		275		12	12	9,3	800	300
850		300		12	12	9,9	850	285
900		325		12	12	10,5	900	275



**BALL BEARING SLIDES  
HGTS60  
FULL EXTENSION - STAINLESS STEEL**

Version V16.1



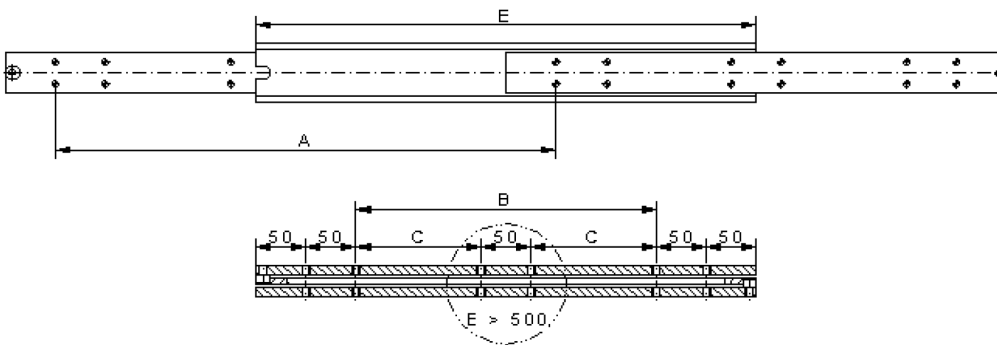
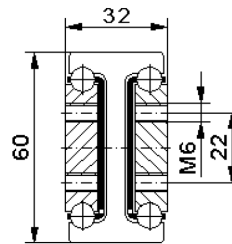
## telescopic slide HGTS60

### basic type:

- stainless steel
- Full extension
- side mounting
- fixing holes

### costum-made product:

- special lengths
- holes / hole center distances
- additional mounting elements
- combinations



installation length E	length		hole pattern		weight Kg	travel length A	load rating per pair Kg
	B	C	1	2			
950		350	12	12	11,1	950	260
1000		375	12	12	11,7	1000	245
1100		425	12	12	12,9	1100	220
1200		475	12	12	14,0	1200	200
1300		525	12	12	15,2	1300	175
1400		575	12	12	16,4	1400	150
1500		625	12	12	17,5	1500	125